

# CRLC SERIES COMMERCIAL INDOOR LIGHTING

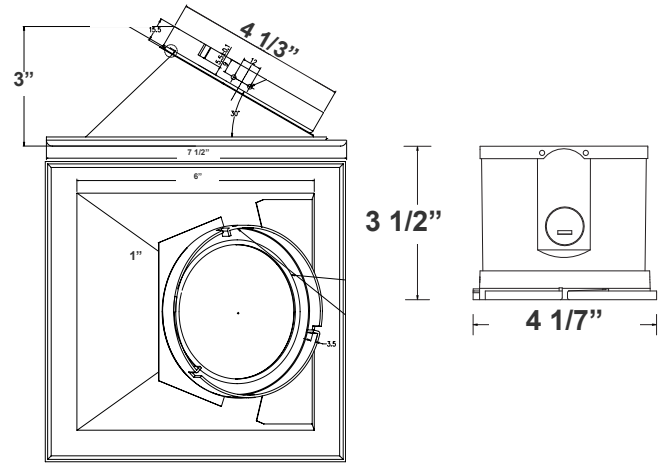
**WESTGATE**  
THE FUTURE IS HERE...AND IT'S QUITE BRIGHT!

CRLC6-20W-MCT-SA-D  
CRLC6-20W-MCT-SA-D-WH  
6" LED COMMERCIAL SQUARE & WALL WASH RECESSED LIGHT

Customer Name: \_\_\_\_\_

Project Name: \_\_\_\_\_

Note: \_\_\_\_\_ Type: \_\_\_\_\_



6 1/2"(H) X 7 1/2" (W)

Ideal for hotel, offices, retail outlets, restaurant, parking garages, conference room, education facilities and more.

## Features

- 6" Haze & White Finish TRIM
- MCT: The switch is on the light engine
- Mounting Options: Recessed
- 5-Year Warranty
- Lifespan: 50,000 hrs.

## Technical Specifications

### Electrical:

- Voltage: 120-277VAC 50/60Hz
- Wattage: 20W
- Power factor: >0.90
- Efficacy: 85 LPW

### Mechanical:

- 6" Haze & White Finish TRIM
- Mounting Options: Recessed
- Temperature Rating: Designed to operate in temperatures 113°F
- No IC-Rated
- Suitable for Damp Locations
- 5-Year Warranty

### Lighting:

- MCT: The switch is on the light engine
- Dimming: 0~10V Dimmable
- Total lumens: 1720LM
- Color temperature: 3000K/4000K/5000K
- Color rendering index: >80
- Lifespan: 50,000 hrs.

### Applications:

- Ideal for hotel, offices, retail outlets, restaurant, parking garages, conference room, education facilities and more.

### Other Models:

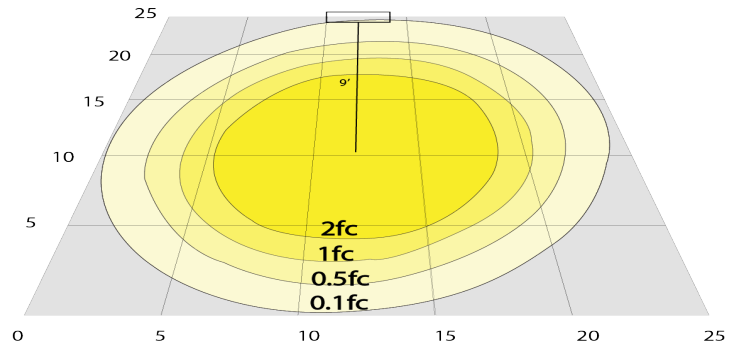
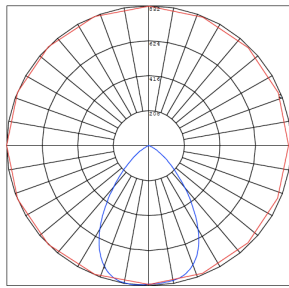
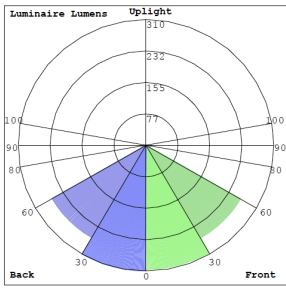
- 15W | 1275LM | CRLC6-15W-MCT-SA-D
- 15W | 1275LM | CRLC6-15W-MCT-SA-D-WH



Phone: (877) 805-2252 | Fax: (877) 805-2252  
www.westgatemfg.com



# Photometrics: CRLC6-20W-MCT-SA-D



BUG Rating: B1-U1-G0

20W 5000K, Area 25" x 25" Mounting Height: 9'

## Other Views:

Hazel



CRLC-EGN-20W-MCT-D



CRLC-TRM-6S

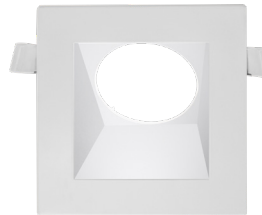


CRLC6-20W-MCT-S-D

White



CRLC-EGN-20W-MCT-D



CRLC-TRM-6S-WH



CRLC6-20W-MCT-S-D-WH

## Performance Table: CRLC6-20W-MCT-SA-D

MODEL NO.	Wattage	Voltage	Lumens	Color Temp.	BUG Rating	LPW
CRLC6-20W-MCT-SA-D	20W	120-277V	1720LM	3000K	B1-U1-G0	85
CRLC6-20W-MCT-SA-D-WH				4000K		
				5000K		

## Sample Ordering

**Model**    **Watt**    **Shape**    **Dimming**    **Housing**  
 CRLC6 - 20W - MCT - SA - D -   
 Blank  
 WH = WHITE

### Accessory:

Blank = No Option For Accessories  
 SSL6-RI = 6" SQUARE ROUGH-IN PLATE, 26" LONG

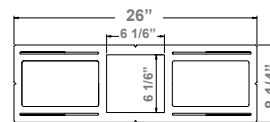
### Factory-Installed Option:

Blank = No Option For Accessories  
 OPT-EM-HB1EXT = EXTERNAL EMERGENCY BACK UP BATTERY

### Accessory:



**SSL6-RI**  
 6" SQUARE ROUGH-IN PLATE, 26" LONG



**SSL6-RI**  
 26"(W) x 8 1/4"(H)

### Factory-Installed Option:



**OPT-EM-HB1EXT**  
 EXTERNAL EMERGENCY BACK UP BATTERY

## Example:

- 1. CRLC6-20W-MCT-SA-D (FOR 20W CRLC6 MCT 120-277V)
- 1. CRLC6-20W-MCT-SA-D (FOR 20W CRLC6 MCT 120-277V)  
 OPT-EM-HB1EXT (EXTERNAL EMERGENCY BACK UP BATTERY)

